



输出功率：约0.5~2.0W
贵金属电刷马达/碳刷马达

典型应用：电动玩具
无线控制模型
家用电器

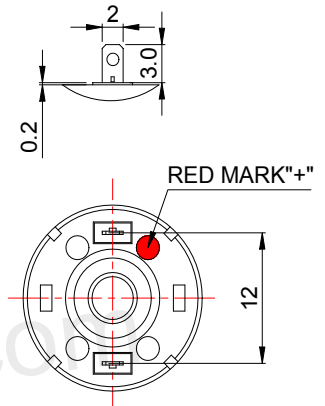
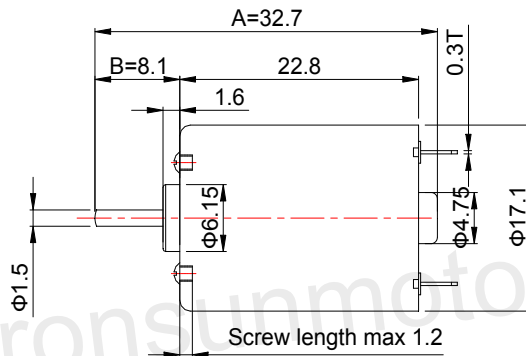
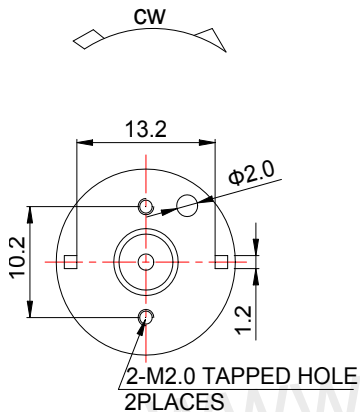
OUTPUT:APPROX0.5~2.0W
Precious Metal-brush Motors/Cabron-brush Motors

Typical Applications: Electric Toys
Wireless Control Model
Household Appliances

1.OUTLINE DRAWING:

DIRECTION OF ROTATION

UNIT:MM

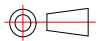


Customizable Parameters:

1. Length A and B
2. Electric Performance
3. Direction of Rotation
4. Eccentric Wheel is available

WEIGHT: 19.5g(Approx)

View:



2.MOTOR PERFORMANCE :

MODEL	VOLTAGE		NO LOAD		AT MAXIMUM EFFICIENCY				STALL		
	OPERATING RANGE	NOMINAL V	SPEED rpm	CURRENT A	SPEED rpm	CURRENT A	TORQUE g.cm	OUTPUT W	TORQUE g.cm	CURRENT A	
RF-130CH-08530	5.0~12.0	12.0	7000	0.013	11058	0.35	6.3	0.62	38	0.28	
RF-130CH-12250	3.0~6.0	6.0	8100	0.035	6600	0.16	7.7	0.56	42	0.7	
RF-130SH-13210	3.0~12.0	12.0	13000	0.038	11500	0.24	14	1.65	125	1.85	

