



输出功率: 约4~200W
碳刷马达

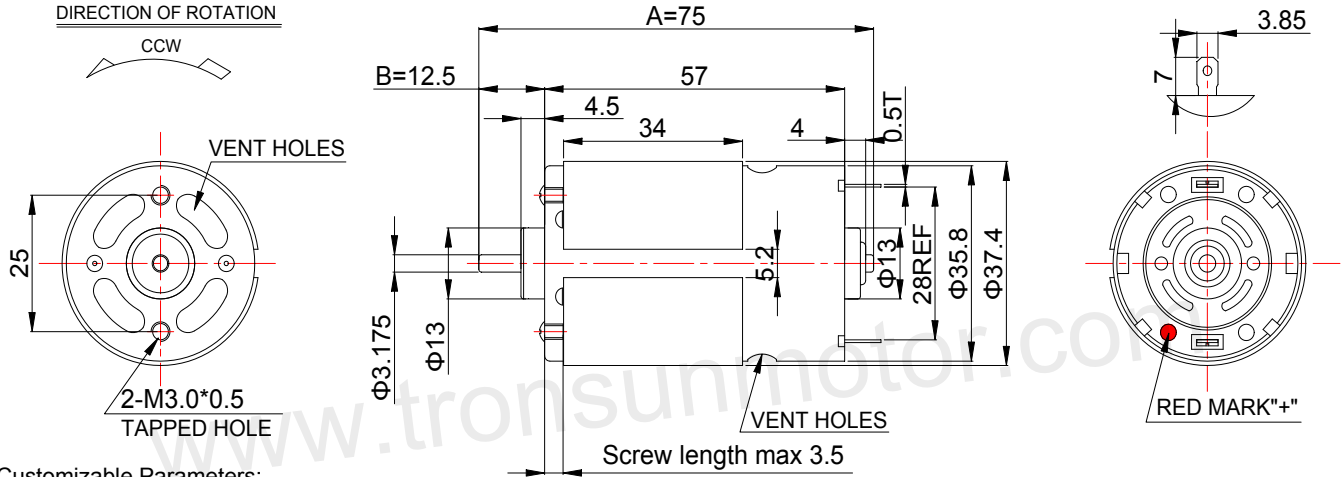
典型应用: 家用电器
电动玩具
电动工具

OUTPUT:APPROX 4~200W
Carbon-brush Motors

Typical Applications: Household Appliances
Electric Toys
Electrical Tools

1.OUTLINE DRAWING:

UNIT:MM

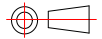


Customizable Parameters:

1. Length A and B
2. Electric Performance
3. Direction of Rotation

WEIGHT: 210g(Approx)

View:



2.MOTOR PERFORMANCE :

MODEL	VOLTAGE		NO LOAD		AT MAXIMUM EFFICIENCY				STALL			
	OPERATING RANGE	NOMINAL	SPEED	CURRENT	SPEED	CURRENT	TORQUE	OUTPUT	TORQUE	CURRENT		
		V	rpm	A	rpm	A	g.cm	mN.m	W	g.cm	mN.m	A
RS-550PH-27130R	5.0~25.0	24.0	7500	0.2	6527	1.34	298.1	29.25	19.96	2298	225.52	9.00
RS-555SH-3268	5.0~13.0	12.0	4600	0.21	3818	1.03	234.7	23.03	9.19	1380	135.43	5.00
RS-555PH-2763R	5.0~25.0	24.0	7500	0.21	6460	1.30	332	32.58	22.00	2399	235.43	8.10
RS-555H-6513RF	5.0~13.0	12.0	18800	1.15	16800	9.88	502	49.26	86.50	4820	473.01	85.00

