



输出功率: 约0.1~0.8W

贵金属电刷马达

典型应用: 电子门锁
智能家居
成人玩具

OUTPUT: APPROX 0.1~0.8W

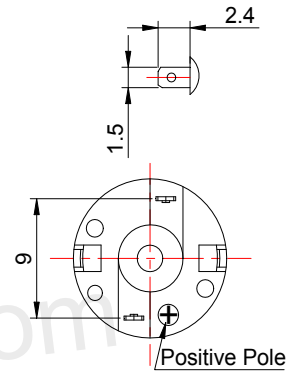
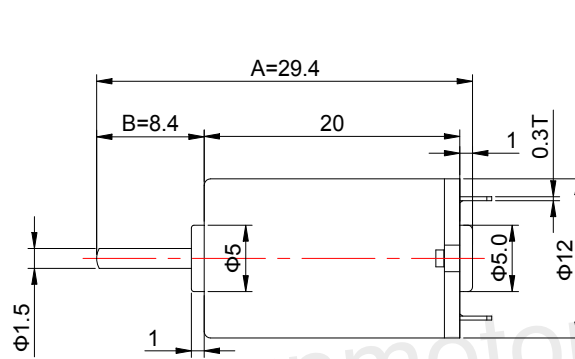
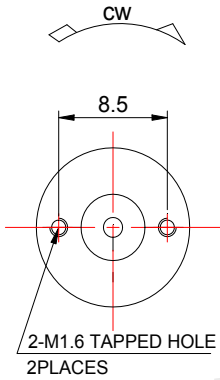
Precious Metal-brush Motors

Typical Applications: Electronic Door Lock
Smart Home Appliance
Adult Toys

1. OUTLINE DRAWING:

UNIT:MM

DIRECTION OF ROTATION

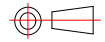


Customizable Parameters:

1. Length A and B
2. Electric Performance
3. Direction of Rotation
4. Eccentric Wheel is available

WEIGHT: 8.5g(Approx)

View:



2. MOTOR PERFORMANCE :

MODEL	VOLTAGE		NO LOAD		AT MAXIMUM EFFICIENCY				STALL			
	OPERATING RANGE	NOMINAL	SPEED	CURRENT	SPEED	CURRENT	TORQUE	OUTPUT	TORQUE	CURRENT		
		V	rpm	A	rpm	A	g.cm	mN.m	W	g.cm	mN.m	A
RF-1220CA-1395	1.5~3.0	2.4	15500	0.145	11371	0.4	3.1	0.30	0.36	11.5	1.13	1.1
RF-1220CA-1660	1.0~2.0	1.5	15500	0.185	11471	0.53	2.9	0.28	0.38	11	1.08	1.5
RF-1220CA-09180	2.0~4.0	3.0	11500	0.04	8600	0.12	1.8	0.18	0.16	7.5	0.74	0.37

