

输出功率: 约2~40W

碳刷马达

典型应用: 家用电器

电动玩具

按摩器材

OUTPUT: APPROX 2~40W

Carbon-brush Motors

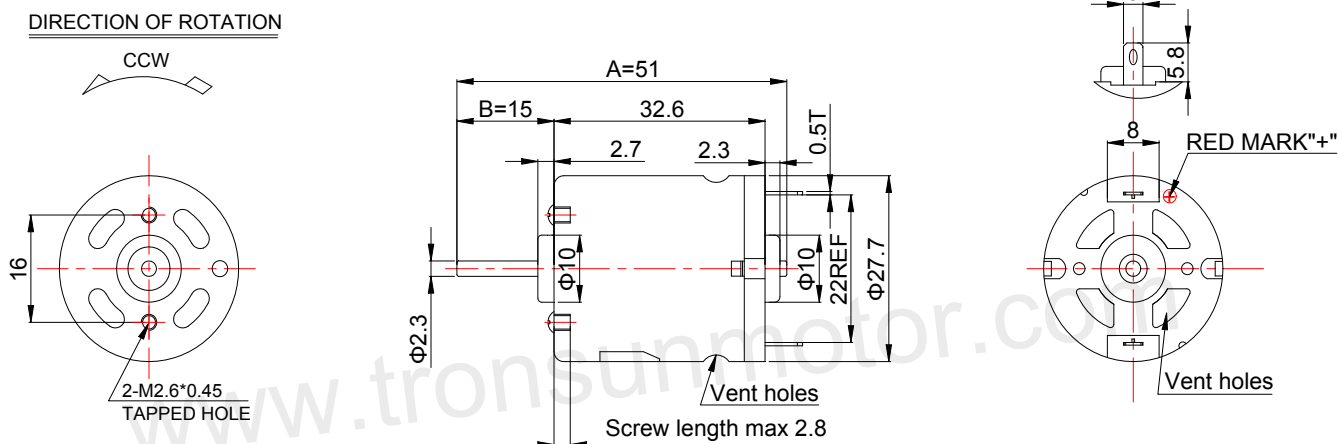
Typical Applications: Household Appliances

Electric Toys

Massage Equipment

1. OUTLINE DRAWING:

UNIT:MM



Customizable Parameters:

1. Length A and B
2. Electric Performance
3. Direction of Rotation

WEIGHT: 51g(Approx)

View:



2. MOTOR PERFORMANCE :

| MODEL | VOLTAGE | | NO LOAD | | AT MAXIMUM EFFICIENCY | | | | STALL | | |
|----------------|-----------------|-----------|-----------|-----------|-----------------------|-----------|-------------|----------|-------------|-----------|-------|
| | OPERATING RANGE | NOMINAL V | SPEED rpm | CURRENT A | SPEED rpm | CURRENT A | TORQUE g.cm | OUTPUT W | TORQUE g.cm | CURRENT A | |
| RS-365PA-10270 | 6.0~24.0 | 24.0 | 6700 | 0.06 | 5215 | 0.21 | 53 | 5.20 | 2.83 | 239 | 0.74 |
| RS-360SA-13390 | 5.0~13.0 | 12.0 | 4500 | 0.12 | 3351 | 0.35 | 52.4 | 5.14 | 1.80 | 205 | 1.02 |
| RS-365SA-1885 | 5.0~13.0 | 12.0 | 10000 | 0.17 | 8200 | 0.78 | 60 | 5.89 | 5.05 | 345 | 3.65 |
| RS-365PA-3260R | 3.0~12.0 | 12.0 | 30500 | 0.75 | 26000 | 4.38 | 123 | 12.07 | 32.80 | 845 | 25.50 |

