



输出功率: 约0.1~1.0W  
 塑胶行星减速电机

OUTPUT: APPROX 0.1~1.0W  
 Plastic Planetary Gear Motor

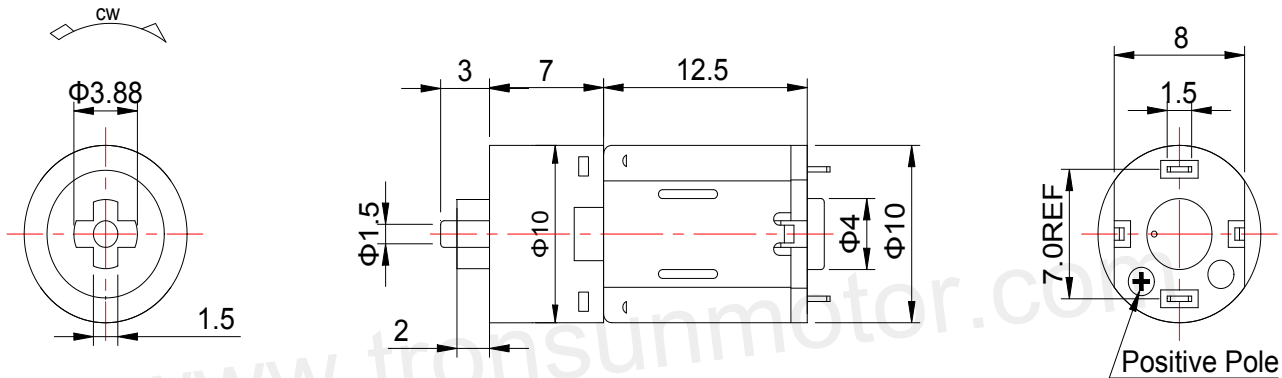
典型应用: 电子门锁  
 智能家居  
 智能机器人  
 电动玩具

Typical Applications: Electronic Door Lock  
 Smart Home Appliance  
 Smart Robot  
 Electric Toys

## 1. OUTLINE DRAWING:

UNIT:MM

DIRECTION OF ROTATION

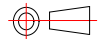


Customizable Parameters:

1. Electric Performance

WEIGHT: 3.8g(Approx)

View:



## 2. GEARBOX REDUCTION RATIO:

Gearbox Length (mm)	Stage Number	Reduction Ratio					Rated Torque	Bearable Maximum Instant Torque
		g.cm						
7	1	171/1					300	500

## 3. MOTOR PERFORMANCE :

1mN.m  $\approx$  10.2g.cm  $\approx$  0.142oz.in

MODEL	REDUCTION RATIO	VOLTAGE		NO LOAD		AT MAXIMUM EFFICIENCY				STALL	
		OPERATING RANGE	NOMINAL	SPEED	CURRENT	SPEED	CURRENT	TORQUE	OUTPUT	TORQUE	CURRENT
			V	rpm	A	rpm	A	g.cm	W	g.cm	A
10PA1012-171-0376	171/1	1.5~3.5	3.0	76	0.05	51	0.105	200	0.10	625	0.22
10PA1012-171-05175	171/1	2.0~5.5	5.0	175	0.08	130	0.23	330	0.44	1306	0.66
10PA1012-171-03150	171/1	1.5~3.5	3.0	150	0.09	111	0.26	240	0.27	952	0.76
10PA1012-171-09200	171/1	3.0~9.0	9.0	200	0.085	143	0.22	400	0.59	1436	0.56
10PA1012-171-04.8145	171/1	2.0~5.0	4.8	150	0.075	113	0.185	300	0.35	1365	0.58