



输出功率: 约1.0~12.0W

贵金属电刷马达/碳刷马达

典型应用: 视听设备

精密仪器

家用电器

OUTPUT: APPROX 1.0~12.0W

Precious Metal-brush Motors/Carbon-brush Motors

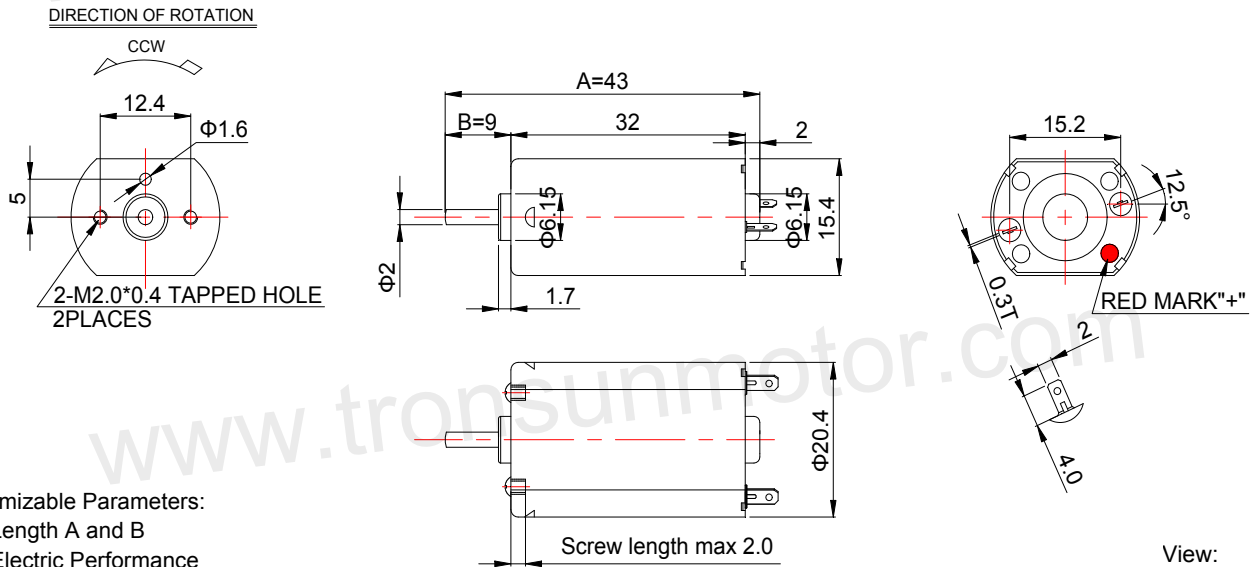
Typical Applications: Audiovisual Equipment

Precision Instrument

Household Appliances

1. OUTLINE DRAWING:

UNIT:MM

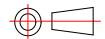


Customizable Parameters:

1. Length A and B
2. Electric Performance
3. Direction of Rotation
4. Eccentric Wheel is available

WEIGHT: 32g(Approx)

View:



2. MOTOR PERFORMANCE :

MODEL	VOLTAGE		NO LOAD		AT MAXIMUM EFFICIENCY				STALL			
	OPERATING RANGE	NOMINAL V	SPEED rpm	CURRENT A	SPEED rpm	CURRENT A	TORQUE g.cm	TORQUE mN.m	OUTPUT W	TORQUE g.cm	TORQUE mN.m	CURRENT A
FF-180PH-15180	3.0~12.0	12.0	10700	0.08	9000	0.40	28	2.75	2.58	178	17.47	2.13
FF-180SH-2658	1.5~3.0	2.4	7700	0.13	6498	0.70	15.6	1.04	1.04	100	9.81	3.8
FK-180NH-3244	3.0~12.0	12.0	31000	0.62	27000	5.16	120	11.78	33.23	1152	113.05	43.6

